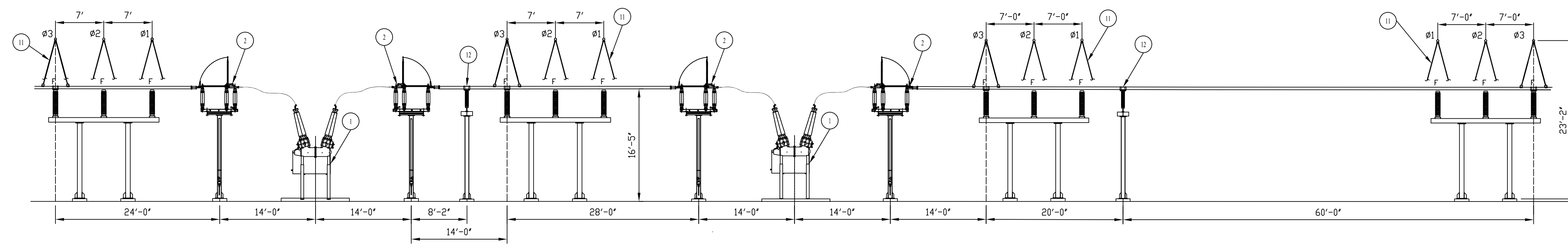
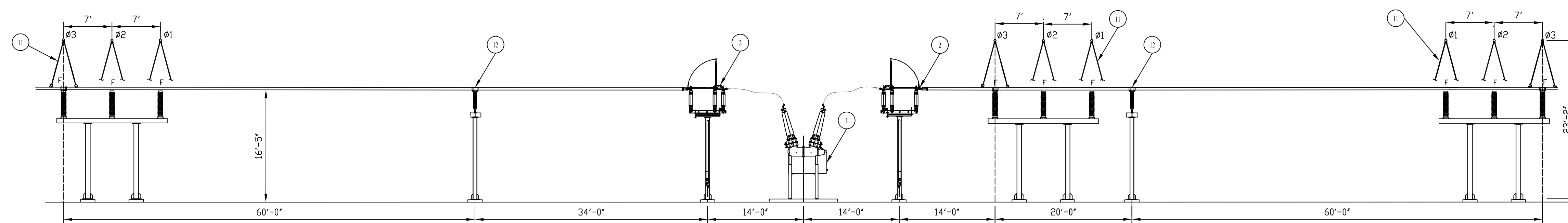


SECTION A TRANSFORMER ELEVATIONS



SECTION B RING BUS ELEVATIONS



SECTION C RING BUS ELEVATIONS

XX

REPRESENTS BOM CALLOUT

FOR REVIEW

NOT FOR CONSTRUCTION

ENG: OSAA/JM APP: JDM DATE: 11/06/20 ISSUE: For Review DRAWING CREATED BY IOWA STATE SENIOR DESIGN 2020.	CYCLONE	
	CITY: AMES	STATE: IOWA ZIP: 50014
	ELEVATION VIEWS	
ISU-SD-04		IA-000-06-01